

Models 6760, and 6767 Shown

60 Frame Plunger Pumps

Standard Model

6760

Stainless Steel Model

6761

Duplex SS Model

6762

Nickel Aluminum Bronze Model

6767

FEATURES

Superior Design

- Triplex plunger design gives smoother liquid flow.
- V-Packings are completely lubricated and cooled by the liquid being pumped.
- Inlet and discharge valve assemblies interchange for easier maintenance.
- Oil bath crankcase assures optimum lubrication.
- Close tolerance concentricity of the ceramic plunger maximizes seal life.

Quality Materials

- 316 stainless steel valves are heat treated and seats are roller burnished for a positive seal and extended valve life.
- Forged Brass, cast Nickel Aluminum Bronze, 316 Stainless Steel or Duplex SS manifolds for strength and corrosion resistance.
- Special concentric, high density, polished, graphite impregnated, solid ceramic plungers are abrasion resistant and result in extended seal life.
- Specially formulated, CAT PUMP exclusive, V-Packings offer unmatched performance and seal life.
- Die cast aluminum crankcase provides high strength, minimum weight and precision tolerance control.
- Chrome-moly crankshaft gives unmatched strength and surface hardness.
- Oversized crankshaft bearings with greater loading capacity mean longer bearing life.

Easy Maintenance

- Wet-end is easily serviced without entering crankcase, requiring less time and effort.
- Valve assemblies are accessible without disturbing piping, for quick service.
- Preset packings mean no packing gland adjustment is necessary, reducing maintenance costs.

⚠ WARNING

All systems require both a primary pressure regulating device (i.e., regulator, unloader) and a secondary pressure safety relief device (i.e., pop-off valve, safety valve). Failure to install such relief devices could result in personal injury or damage to the pump or to system components. CAT PUMPS does not assume any liability or responsibility for the operation of a customer's high pressure system.

SPECIFICATIONS

U.S. Measure

Metric Measure

MODEL 6760

Flow75 GPM (284 L/M)
 Pressure Range100 to 1000 PSI (7 to 70 BAR)
 RPM643 RPM (643 RPM)

MODEL 6761, 6762 AND 6767

Flow60 GPM (227 L/M)
 Pressure Range100 to 1200 PSI (7 to 85 BAR)
 RPM520 RPM (520 RPM)

Alternate Specifications

Flow*70 GPM (265 L/M)
 Pressure Range100 to 1000 PSI (7 to 70 BAR)
 RPM600 RPM (600 RPM)

COMMON SPECIFICATIONS

Inlet Pressure Range*Flooded to 50 PSI (Flooded to 3.5 BAR)
 Bore2.165" (55 mm)
 Stroke2.579" (65.5 mm)
 Crankcase Capacity10 Qts. (9.46 L)
 Max. Liquid Temperature140°F (60°C)

For temperatures above 130°F call CAT PUMPS for inlet conditions and elastomer recommendations.
 Inlet Ports (2)*2" NPTF (2" NPTF)
 Discharge Ports (2)1-1/4" NPTF (1-1/4" NPTF)
 Shaft Diameter1.772" (45 mm)
 Weight335 lbs. (151.95 kg)
 Dimensions (6767, 6760)31.14 x 24.37 x 12.87" (791 x 619 x 327 mm)
 Dimensions (6761, 6762)30.71 x 24.37 x 12.44" (780 x 619 x 316 mm)

*A 2-1/2" inlet line is recommended for alternate performance.

HORSEPOWER REQUIREMENTS

MODEL	FLOW		PRESSURE				RPM
			PSI 900	PSI 1000	PSI 1200	PSI 2000	
	U.S. GPM	L/M	BAR 60	BAR 70	BAR 85	BAR 140	
6760	75	284	46.3	51.4	N/A	N/A	643
	70	265	43.2	48.0	N/A	N/A	600
6761, 6762 6767	70	265	43.2	48.0	N/A	N/A	600
	60	227	37.1	41.2	49.4	N/A	520
	50	189	30.9	34.3	41.2	N/A	433

DETERMINING THE PUMP R.P.M. Rated G.P.M. = "Desired" G.P.M.
Rated R.P.M. = "Desired" R.P.M.

DETERMINING THE REQUIRED H.P. GPM x PSI = Electric Brake
1460 = H. P. Required

DETERMINING MOTOR PULLEY SIZE Motor Pulley O.D. = Pump Pulley O.D.
Pump R.P.M. = Motor R.P.M.

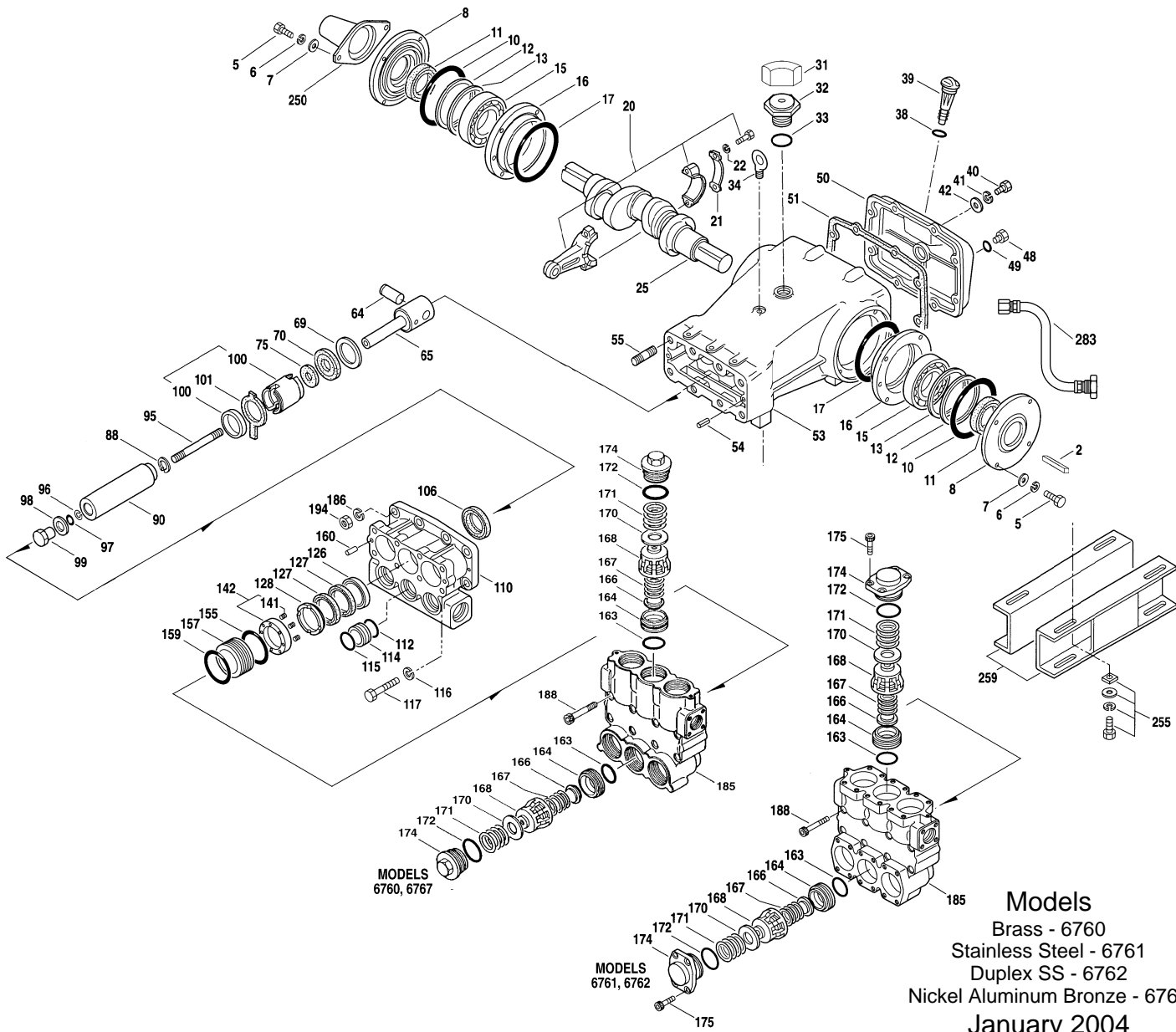
See complete Drive Packages [Incls: Pulleys, Belts, Hubs, Key] Tech Bulletin 003.
 Refer to pump Service Manual for repair procedure and additional technical information.

"Customer confidence is our greatest asset"

PARTS LIST

ITEM	PART NUMBER				DESCRIPTION	QTY
2	6760 MATL	6761 MATL	6762 MATL	6767 MATL	Key (M14x9x90)	1
5	43048 STL	43048 STL	43048 STL	43048 STL	Screw, HH (M10 x 40)"	8
6	80296 STZP	89728 S	89728 S	89728 S	Lockwasher, Split (M10)	8
7	12503 STZP	15847 S	15847 S	15847 S	Washer, Flat (M10)	8
8	12490 STZP	19934 SS	19934 SS	19934 SS	Cover, Bearing, Outer	2
10	29443 AL	29443 AL	29443 AL	29443 AL	O-Ring, Bearing Case	2
11	29444 NBR	29444 NBR	29444 NBR	29444 NBR	Seal, Oil, Crankshaft - 70D	2
12	11443 NBR	11443 NBR	11443 NBR	11443 NBR	Washer, Shim (M120 x 0.3), Bearing, Inner	0-2
13	43642 S	43642 S	43642 S	43642 S	Washer, Shim (M120 x 0.5), Bearing, Inner	0-2
15	43643 S	43643 S	43643 S	43643 S	Bearing, Roller	2
16	29441 STL	29441 STL	29441 STL	29441 STL	Cover, Bearing, Inner	2
17	29442 STL	29442 STL	29442 STL	29442 STL	O-Ring, Bearing Case	2
20	29444 NBR	29444 NBR	29444 NBR	29444 NBR	Rod, Connecting	3
21	115983 HS	115983 HS	115983 HS	115983 HS	Washer, Locking	3
22	44941 STZP	44941 STZP	44941 STZP	44941 STZP	Washer, Shim (M10.5 x 1.5)	6
25	43641 STZP	43641 STZP	43641 STZP	43641 STZP	Crankshaft, Dual End	1
31	29440 FCM	29440 FCM	29440 FCM	29440 FCM	Protector, Oil Cap	1
32	828710	828710	828710	828710	Cap, Oil Filler	1
33	43211 ABS	43211 ABS	43211 ABS	43211 ABS	O-Ring, Oil Filler Cap - 70D	1
34	14177 NBR	14177 NBR	14177 NBR	14177 NBR	Bolt, Eye (M12) [1/00]	1
38	44319 STZP	44319 STZP	44319 STZP	44319 STZP	O-Ring, Dip Stick - 70D	1
39	11338 NBR	11338 NBR	11338 NBR	11338 NBR	Stick, Dip	1
40	27769 ABS	27769 ABS	27769 ABS	27769 ABS	Screw, HH (M10 x 30)	8
41	80288 STZP	89627 S	89627 S	89627 S	Lockwasher, Split (M10)	8
42	12503 STZP	15847 S	15847 S	15847 S	Washer, Flat (M10)	8
48	12490 STZP	19934 SS	19934 SS	19934 SS	Plug, Drain (1/4 x 19BSP)	1
49	25625 STCP	25625 STCP	25625 STCP	25625 STCP	O-Ring, Drain Plug - 70D	1
50	23170 NBR	23170 NBR	23170 NBR	23170 NBR	Cover, Rear	1
51	29438 AL	29438 AL	29438 AL	29438 AL	Gasket, Rear Cover	1
53	29439 NBR	29439 NBR	29439 NBR	29439 NBR	Crankcase w/Guide Pins [1/00]	1
54	43284 AL	43284 AL	49126 AL	43284 AL	Pin, Guide	2
55	43282 S	43282 S	43282 S	43282 S	Stud (M16 x 40)	2
64	85440 STZP	89615 S	89615 S	89615 S	Pin, Crosshead	3
65	29481 CM	29481 CM	29481 CM	29481 CM	Rod, Plunger	3
69	‡ 45384 SSZZ	45384 SSZZ	45384 SSZZ	45384 SSZZ	Washer, Oil Seal	3
70	29453 STZP	29453 STZP	29453 STZP	29453 STZP	Seal, Oil - 80D	3
75	29454 NBR	29454 NBR	29454 NBR	29454 NBR	Slinger, Barrier	3
88	44752 NBR	44752 NBR	44752 NBR	44752 NBR	Washers, Keyhole (M14)	3
90	45677 SS	45677 SS	45677 SS	45677 SS	Plunger (M55 x 185)	3
95	44749 CC	44749 CC	44749 CC	44749 CC	Stud, Plunger Retainer (M14 x 147)	3
96	89783 S	44748 SS	44748 SS	44748 SS	Back-up-Ring, Plunger Retainer	3
97	20214 PTFE	20214 PTFE	20214 PTFE	20214 PTFE	O-Ring, Plunger Retainer - 80D	3
98	17616 NBR	17616 NBR	17616 NBR	17616 NBR	O-Ring, Plunger Retainer - 80D	3
99	11686 FPM	11686 FPM	11686 FPM	11686 FPM	Gasket, Plunger Retainer	3
100	44751 SS	44751 SS	44751 SS	44751 SS	Retainer, Plunger (M14)	3
101	45276 S	44750 SS	48959 SSD	44750 SS	Retainer, Seal, Rear	3
106	44760 PVDF	44760 PVDF	44760 PVDF	44760 PVDF	Retainer, Seal, Front	3
110	44761 PVDF	44761 PVDF	44761 PVDF	44761 PVDF	Wick, Long Tab (M55 x 185)	3
112	44762 —	44762 —	44762 —	44762 —	Seal, LPS w/SS-Spg	3
114	44757 NBR	44757 NBR	44757 NBR	44757 NBR	Seal, LPS w/SS-Spg	3
115	45882 FPM	45882 FPM	45882 FPM	45882 FPM	Manifold, Inlet	1
127	48460 BB	45769 SS	48980 SSD	44754 NAB	O-Ring, Spacer, Inner - 80D	3
128	18175 NBR	18175 NBR	18175 NBR	18175 NBR	O-Ring, Spacer, Inner - 70D	3
132	13266 FPM	13266 FPM	13266 FPM	13266 FPM	Spacer, Inlet Manifold	3
141	44767 SS	44767 SS	48957 SSD	44767 SS	O-Ring, Spacer, Outer - 80D	3
142	18175 NBR	18175 NBR	18175 NBR	18175 NBR	O-Ring, Spacer, Outer - 70D	3
144	18175 NBR	18175 NBR	18175 NBR	18175 NBR	Lockwasher, Split (M16)	4
145	13266 FPM	13266 FPM	13266 FPM	13266 FPM	Screw, HH (M16 x 55)	4
157	12504 STZP	19086 S	19086 S	19086 S	Adapter, Female	3
158	89972 STZP	89729 S	89729 S	89729 S	V-Packing	6
164	48392 D	48392 D	48392 D	48392 D	Adapter, Male	3
166	45771 SS	45771 SS	45771 SS	45771 SS	Coil Spring, Spacer	24
167	44764 STG*	44764 STG*	44764 STG*	44764 STG*	Spacer w/Coil Springs	3
168	45772 SS	45772 SS	48962 SSD	45772 SS	O-Ring, Spacer - 80D	3
171	44943 SS	44943 SS	44943 SS	44943 SS	O-Ring, Spacer - 70D	3
172	48501 BB	45383 SS	48982 SSD	45383 SS	Spacer, V-Packing	3
173	18178 NBR	18178 NBR	18178 NBR	18178 NBR	O-Ring, Spacer - 80D	3
174	13338 FPM	13338 FPM	13338 FPM	13338 FPM	O-Ring, Spacer - 70D	3
175	45321 SS	45321 SS	48961 SSD	45321 SS	Pin, Guide	2
176	18178 NBR	18178 NBR	18178 NBR	18178 NBR	O-Ring, Seat	6
177	13338 FPM	13338 FPM	13338 FPM	13338 FPM	O-Ring, Seat	6
178	44756 SS	44756 SS	44756 SS	44756 SS	Seat	6
179	18176 NBR	18176 NBR	18176 NBR	18176 NBR	Valve	6
180	13278 FPM	13278 FPM	13278 FPM	13278 FPM	Spring	6
181	‡ 44772 SS	44772 SS	48964 SSD	44772 SS	Retainer, Spring	6
182	‡ 44774 SS	44774 SS	48958 SSD	44774 SS	Washer, Retainer	6
183	44773 SS	44773 SS	44773 SS	44773 SS	Spring, Coil, Valve Plug	6
184	44775 PVDF	44775 PVDF	44775 PVDF	44775 PVDF	O-Ring, Valve Plug - 80D	6
185	‡ 44776 SS	44776 SS	48956 SSD	44776 SS	O-Ring, Valve Plug - 70D	6
186	44780 SS	44780 SS	44780 SS	44780 SS	Plug, Valve [3/00]	1
187	18177 NBR	18177 NBR	18177 NBR	18177 NBR	Screw (M16x35) [3/00]	24
188	13279 FPM	13279 FPM	13279 FPM	13279 FPM	Manifold, Discharge [3/00]	1
189	45297 BB	48572 SSL	48989 SSD	44778 NAB	Lockwasher, Split (M16)	2
190	—	48573 S	48573 S	—	Screw, HSH (M16 x 110)	8
191	48461 BB	48489 SSL	48984 SSD	44769 NAB	Nut, Hex (M16)	2
192	12504 STZP	19086 S	19086 S	19086 S		
193	89695 STZP	89694 S	89694 S	89694 S		
194	81081 STZP	81291 S	81291 S	81291 S		

EXPLODED VIEW

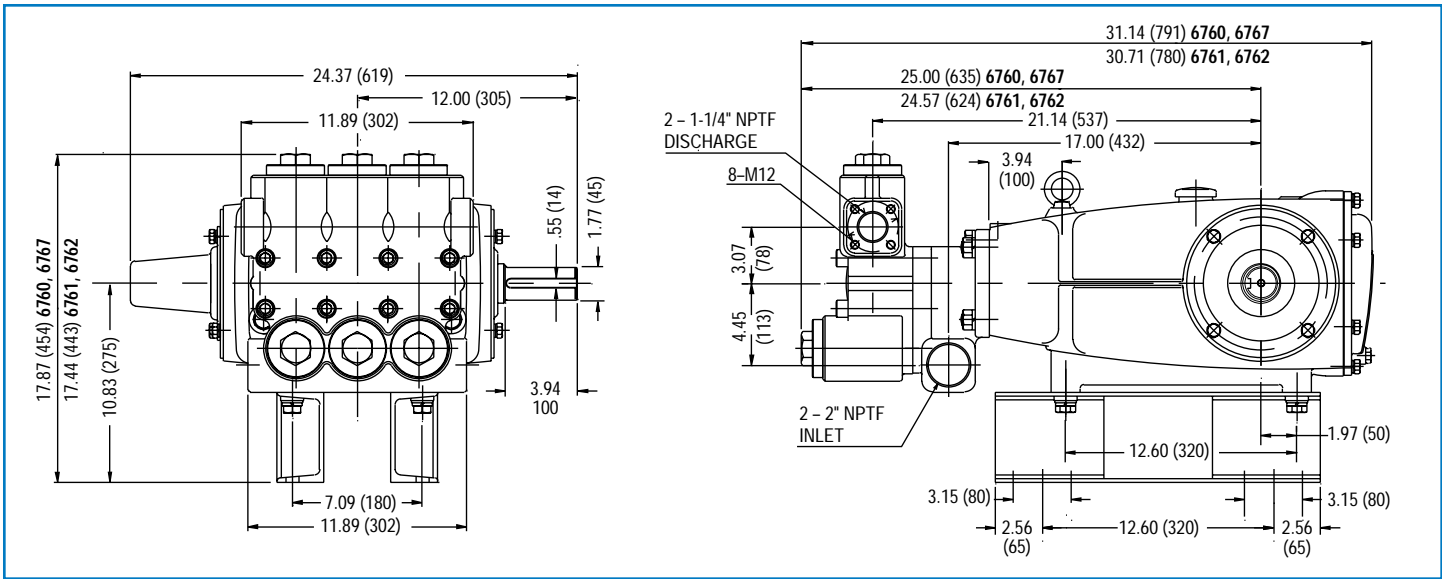


Models
 Brass - 6760
 Stainless Steel - 6761
 Duplex SS - 6762
 Nickel Aluminum Bronze - 6767
 January 2004

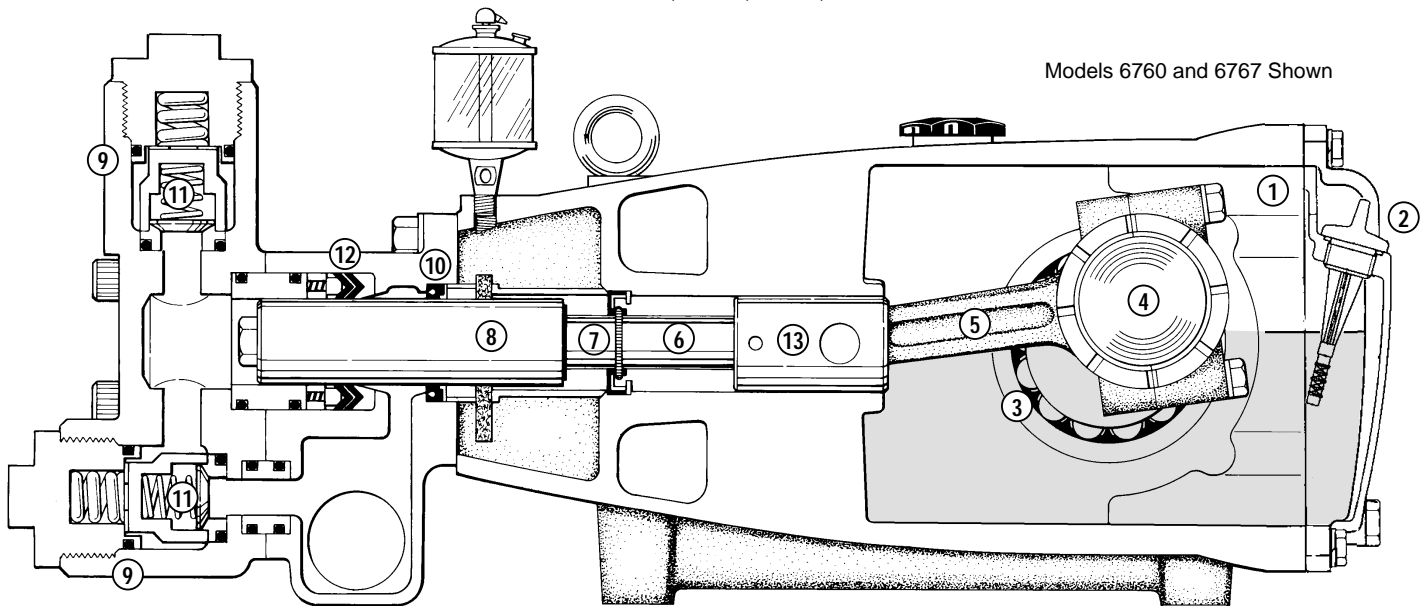
	6760	MATL	6761	MATL	6762	MATL	6767	MATL
250	29445	AL	29445	AL	29445	AL	29445	AL
255	33243	—	33243	—	33243	—	33243	—
259	29477	STZP	29477	STZP	29477	STZP	29477	STZP
275	990014	STL	990014	STL	990014	STL	990014	STL
279	30429	STZP	30429	STZP	30429	STZP	30429	STZP
281	30969	—	30969	—	30969	—	30969	—
282	10070	NBR	10070	NBR	10070	NBR	10070	NBR
283	34334	—	34334	—	34334	—	34334	—
290	6104	—	6104	—	6104	—	6104	—
299	816760	BBCP	816667	SSL	816865	SSD	814820	NAB
300	34091	NBR*	34091	NBR*	34091	NBR*	34091	NBR*
	34093	FPM	34093	FPM	—	—	34093	FPM
310	‡ 34092	NBR	34092	NBR	39400	NBR	34092	NBR
	31273	FPM	31273	FPM	—	—	31273	FPM
—	819010	F	819010	F	819010	F	819010	F
—	88902	STZP	88902	STZP	88902	STZP	88902	STZP
—	—	—	—	—	—	—	—	—
—	—	—	—	—	—	—	—	—
—	—	—	—	—	—	—	—	—
—	6565.5	—	6565.5	—	—	—	6565.5	—
—	6105	—	6105	—	6105	—	6105	—

Protector, Shaft	1
Kit, Mount (Included w/Pump)	1
Rail (Included w/Pump) (Two per pump required)	2
Hub, 45mm (M14x9 Keyway) [See Drive Packages, Tech Bulletin 003]	1
Oiler (10 oz.)	3
Oiler, Glass (10 oz.)	3
Gasket, Oiler	3
Kit, Oil Drain	1
Gasket, Liquid (1.0 oz.)	1
Head, Complete	1
Kit, Seal (Incls: 97,106,112,115,127,155,159)	1
Kit, Seal (Incls: 97,106,112,115,127,155,159)	1
Kit, Valve (Incls: 163,164,166,167,168,170,172)	2
Kit, Valve (Incls: 163,164,166,167,168,170,172)	2
Assy, Crankcase, Cast Iron Conversion	1
Stud (M16x277) (For removing D.M., I.M.)	2
C.A.T. (For R.O. or Industrial Applications)	1
Adapters (2 per C.A.T.) (See Data Sheet for complete selection)	2
Plunger Pump Service Video, Section V	1
Oil, Twin Pack (Two 2.5 Gal) ISO 68 Multi-viscosity Hydraulic (Fill to specified crankcase capacity prior to start-up)	1

Bold print part numbers are unique to a particular pump model. *Italics are optional items.* [] Date of latest production change.
 *Review material codes for individual items (STG generally may be used as alternate). **C.A.T. highly recommended for pressurized inlet, R.O. and Industrial applications.**
 See Tech Bulletins 003, 024, 036, 043, 052, 053, 054, 064, 074, 077, 082, 083 and 084 for additional information. ‡ Production parts 304SS, replacement parts are 316SS.
 MATERIAL CODES (Not Part of Part Number): ABS=ABS Plastic AL=Aluminum BB=Brass BBCP=Brass/Chrome Plated BBHS=Brass/High Strength
 CC=Ceramic CM=Chrome-Moly D=Acetal FBB=Forged Brass FCM=Forged Chrome-moly FPM=Fluorocarbon NAB=Nickel Aluminum Bronze
 NBR=Medium Nitrile (Buna-N) PTFE=Pure Polytetrafluoroethylene PVDF=Polyvinylidene Fluoride S=304SS SS=316SS SSD=Duplex SS SSL=316SS/Low Carbon
 SSZZ=316SS/Zamak STCP=Steel/Chrome Plated STG=Special Blend PTFE White STL=Steel STZP=Steel/Zinc Plated



Models 6760, 6761, 6762, 6767



Models 6760 and 6767 Shown

- 1 Die cast aluminum **crankcase** means high strength, lightweight, and excellent tolerance control.
- 2 **Dipstick** offers convenient top access for easy oil level check.
- 3 Oversized crankshaft **bearings** provide extended bearing life and pump performance.
- 4 Chrome-moly **crankshaft** provides unmatched strength and surface hardness for long life.
- 5 Matched oversized high strength **connecting rods** are noted for superior strength and bearing quality.
- 6 The **plunger rods** are high tensile strength stainless steel with Zamak crossheads.
- 7 The stainless steel **slinger** provides back-up protection for the crankcase seal, keeping pumped liquids out of the crankcase.
- 8 Special concentric, high density, polished, graphite impregnated, solid ceramic **plungers** are abrasion resistant and result in extended seal life.
- 9 **Manifolds** are a high tensile strength forged brass, nickel aluminum bronze, 316 stainless steel or Duplex SS for long term, continuous duty.
- 10 100% **wet seal** design adds to service life by allowing pumped liquids to cool and lubricate on both sides.
- 11 Stainless steel **valves, seats and springs** provide corrosion-resistance, positive seating and long life.
- 12 Specially formulated, CAT PUMP exclusive, **V-Packings** offer unmatched performance and seal life.
- 13 **Crossheads** are 360° supported for uncompromising alignment.

Products described hereon are covered by one or more of the following U.S. patents 3558244, 3652188, 3809508, 3920356, 3930756 and 5035580

World Headquarters
CAT PUMPS
 1681 - 94th Lane N.E. Minneapolis, MN 55449-4324
 Phone (763) 780-5440 — FAX (763) 780-2958
 e-mail: techsupport@catpumps.com
 www.catpumps.com



CAT PUMPS (U.K.) LTD.
 1 Fleet Business Park, Sandy Lane, Church Crookham, Fleet
 Hampshire GU52 8BF, England
 Phone Fleet 44 1252-622031 — Fax 44 1252-626655
 e-mail: sales@catpumps.co.uk

N.V. CAT PUMPS INTERNATIONAL S.A.
 Heiveldekens 6A, 2550 Kontich, Belgium
 Phone 32-3-450.71.50 — Fax 32-3-450.71.51
 e-mail: cpi@catpumps.be www.catpumps.be

CAT PUMPS DEUTSCHLAND GmbH
 Buchwiese 2, D-65510 Idstein, Germany
 Phone 49 6126-9303 0 — Fax 49 6126-9303 33
 e-mail: catpumps@t-online.de www.catpumps.de

International Inquiries
 FAX (763) 785-4329
 e-mail: intlsales@catpumps.com